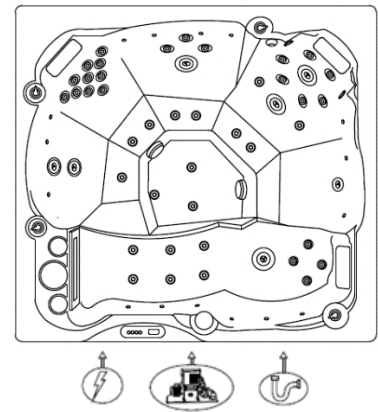


## EMOTION for 5



### TECHNICAL INFORMATION

Dimensions	2.06 x 1.92 x 0.85 m
Jets	50
Shell	White
Panels	EcoWood Grey
Weight without water	400 Kg
Weight with water	1500 Kg
Volume	3.4 m <sup>3</sup>

### EQUIPMENT SPECIFICATIONS

Seats	5 (1 lounged)
Filter	2 (5.5 m <sup>2</sup> )
Pump 1: Filtration and Massage	1 – 370 / 1500 w
Pump 2: Massage	1500 w
Ozone Equipment	1
Control System with Heater	1 – 3000 w
RGB Leds	Perimeter
Cover	1

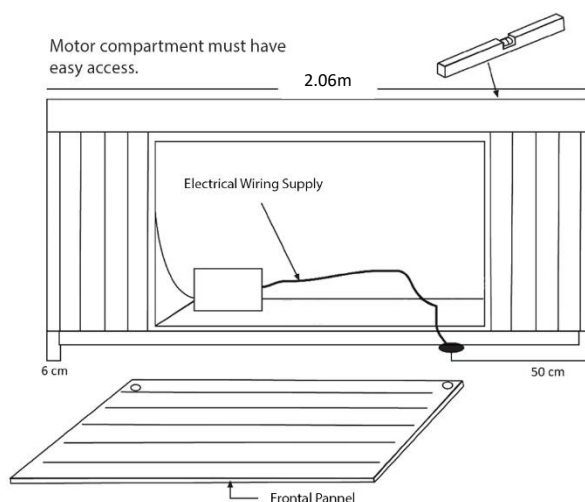
### WATER CIRCUIT SPECIFICATIONS

Water Capacity	1100 l
Drain Valve	1

### ELECTRICAL SPECIFICATIONS

Voltage	220 - 240 V ~
Max Absorbed Power	3370 w
Frequency	50 Hz
Amperage	16 A

Note : the standard measures may vary ±2cm



**IMPORTANT:** Important: The equipment must be connected to an exclusive and permanent power line capable to support installed power. Lighting and electrical receptacles must be located at least 1.5 meters from the equipment.

The circuit ground wire must be provided to take advantage of the designed-in safety features of the equipment.

The electric installation must be in accordance with actual legislation.